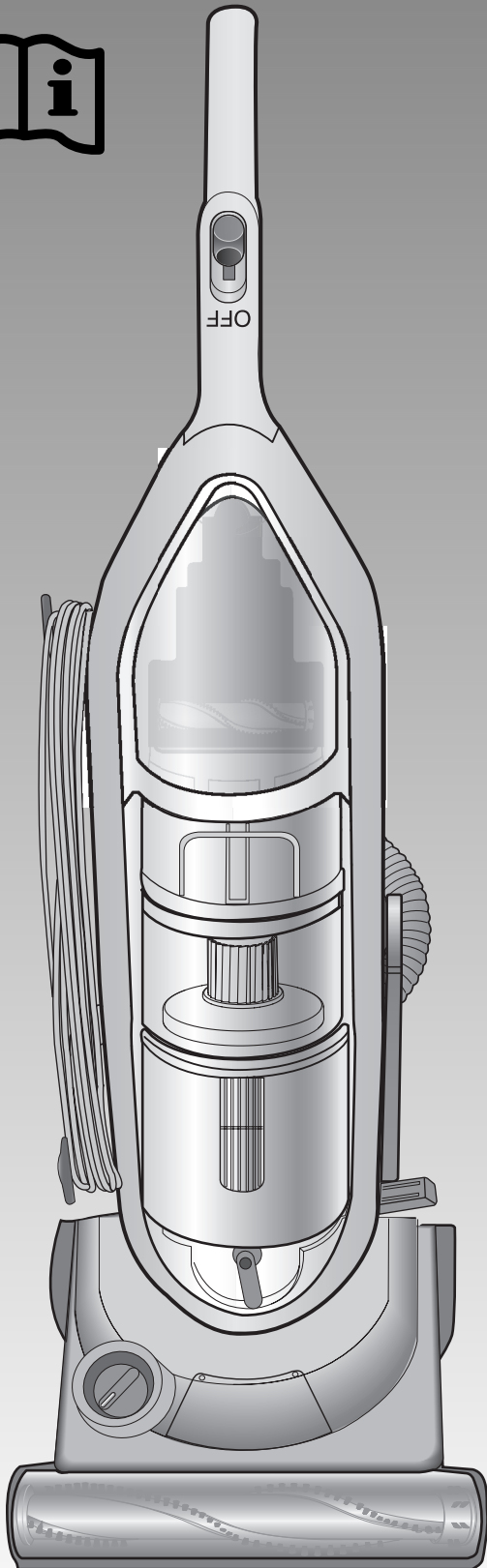


SAMSUNG



Vacuum Cleaner

SU-8500 Series
FOR HOUSEHOLD USE ONLY

Operating Instructions

IMPORTANT SAFETY INSTRUCTIONS	2
VACUUM CLEANER DISCRIPTION	3
VACUUM CLEANER ASSEMBLY.....	4
CARTON CONTENTS	4
ACCESSORIES	4
ATTACH HANDLE TO VACUUM.....	4
ATTACH HANDLE TO DIRT CUP	4
ATTACH VACUUM HOSE AND TOOLS	5
OPERATION.....	6
POWER SWITCH/BRUSH ROLL SWITCH (CIRCUIT BREAKER).....	6
HANDLE POSITIONS.....	6
POWERFOOT HEIGHT ADJUSTMENT	7
EDGE CLEANING	7
CLEANING TOOLS.....	7
POWER CORD ARRANGEMENT	8
CORD CLIP	8
TRANSPORTING CLEANER.....	8
CARRYING CLEANER	8
MAINTENANCE	9
DIRT CUP CHECK OR FILTER CLOGGED INDICATOR ..	9
CLEANING DIRT CUP.....	9
CLEANING THE CARTRIDGE FILTER TANK	9
CLEANING THE HEPA MEDIA POST-MOTOR FILTER ..	9
CHECK ROTATING FLOOR BRUSH AND DRIVE BELT	10
REPLACE DRIVE BELT	10
CLEARING CLOGS	11
POWERED HAND TOOL(TURBINE BRUSH)..	12
BRUSHBAR REPLACEMENT.....	12
BELT REPLACEMENT.....	12
TROUBLE SHOOTING.....	13

* The design and specification may be different depending on the models.

Important Safety Instructions

Thank you for purchasing a Samsung vacuum cleaner. When using an electrical appliance, basic precautions should always be followed, including the following:

PLEASE READ ALL WARNINGS AND INSTRUCTIONS BEFORE USING THIS VACUUM CLEANER.

WARNING: To reduce the risk of fire, electric shock, or injury:

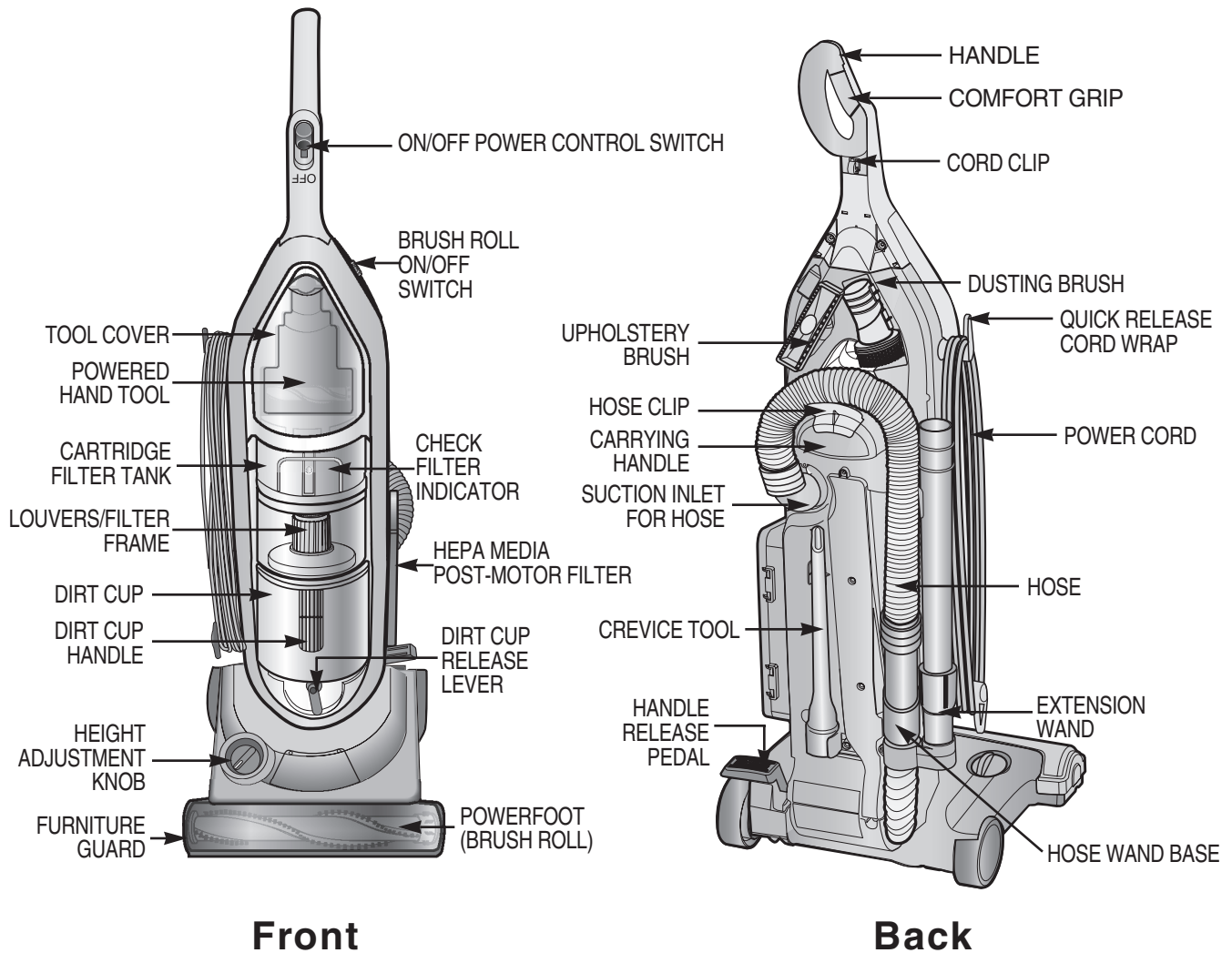
- Do not leave vacuum cleaner unattended when it is plugged in.
- Unplug from outlet when not in use and before servicing.
- Do not use outdoors or on wet surfaces.
- Do not allow children to operate vacuum cleaner or use as a toy.
- Close attention is necessary when used by or near children.
- Use only as described in this manual. Use only manufacturer's recommended attachments.
- Do not use with damaged cord or plug.
- If vacuum cleaner is not working as it should, or has been dropped, damaged, left outdoors or dropped into water, return it to a service center.
- Do not pull or carry by cord, use cord as a handle, close a door on cord, or pull the cord around sharp edges or corners. Keep cord away from heated surface.
- Do not unplug by pulling on the cord. To unplug, grasp the plug, not the cord.
- Do not handle vacuum cleaner or plug with wet hands.
- Do not put any object into openings. Do not use with any opening blocked; keep openings free of dust, lint, hair and anything that may reduce air flow.
- Keep hair, loose clothing, fingers and all parts of body away from openings and moving parts.
- Do not pick up anything that is burning or smoking, such as cigarettes, matches or hot ashes.
- Do not use without dirt cup or filters in place. Empty dirt cup and clean filter frequently when picking up very fine materials such as powder.
- Turn off all controls before unplugging vacuum cleaner.
- Use extra care when cleaning on stairs.
- Do not use to pick up flammable or combustible materials such as gasoline or fine wood fine wood sandings or use in areas where they may be present.
- Store your vacuum cleaner indoors, in a cool and dry area.
- Avoid picking up hard, sharp objects with the cleaner. They may damage the cleaner.
- Always turn off this appliance before connecting or disconnecting the hose, removing the bottom plate for maintenance.
- Use only on dry, indoor surfaces, never change the plug in any way.
- Do not modify the polarized plug to fit a non-polarized outlet or extension cord.
- Do not touch the brush roller when it is rotating.
- Keep suction away from your face when using nozzles and pipe.
- Do not pull the power cord around sharp corners and do not allow it to be trapped.
- Unplug before connecting turbine nozzle.(only using turbine-brush model)
- This appliance is not intended for use by young persons or infirm persons without supervision unless they have been adequately supervised by a responsible person to ensure that they can use the appliance safely.
- Young children should be supervised to ensure that they do not play with the appliance.
- The plug must be removed from the socket-outlet before cleaning or maintaining the appliance.
- If the supply cord is damaged, it must be replaced by the manufacturer or its service agent or a similarly qualified person in order to avoid a hazard.

SAVE THESE INSTRUCTIONS

This vacuum cleaner is intended for household use only.

Vacuum Cleaner Description

Assembled Vacuum Cleaner Parts



CAUTION:

Do not plug in your vacuum cleaner until you are familiar with all instructions and operating procedures.

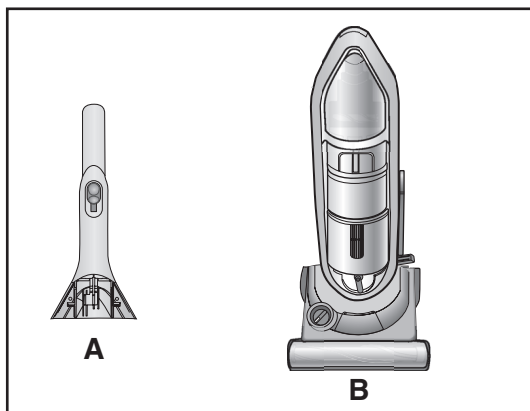


WARNING:

Plastic film can be dangerous. To avoid danger of suffocation, keep away from babies and children.

Vacuum Cleaner Assembly

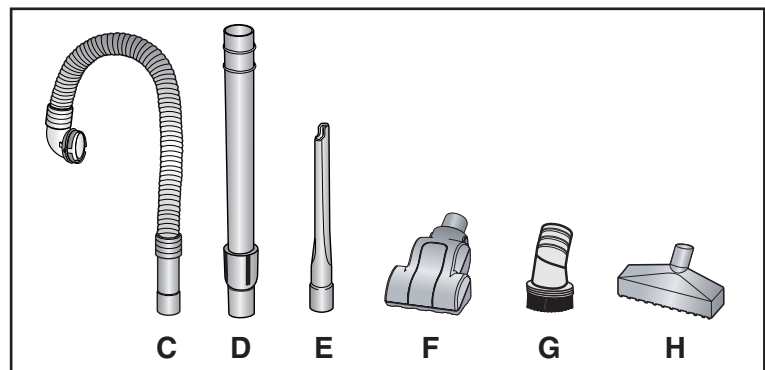
Carton contents



Empty carton. Find the parts shown above before disposing of packing materials.

- A. Handle section (with 4 screws)
- B. Cleaner body

Accessories

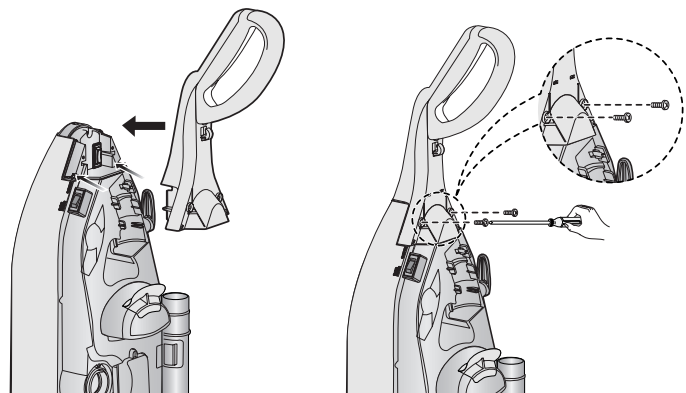


The accessories are packed on the cleaner. Not all accessories are included with every model.

- C. Hose
- D. Extension wand
- E. Crevice tool
- F. Powered hand tool (Turbine Brush)
- G. Dusting Brush
- H. Upholstery Brush (Furniture nozzle)

Attach Handle To Vacuum

- 1 Stand the vacuum upright and slide the base of the handle firmly into the grooves at the top of the vacuum body.
- 2 Check to be sure the handle is fitted to the cleaner body. If there is a gap in front, continue to push firmly until the handle is flush.
- 3 Insert the two screws provided into the existing holes. Tighten the screws securely with a screwdriver. Before securing the handle, please check that the handle is fitted to the vacuum body and there's no gap between them. If there is a gap or the screw is loosened, cleaner won't turn on.

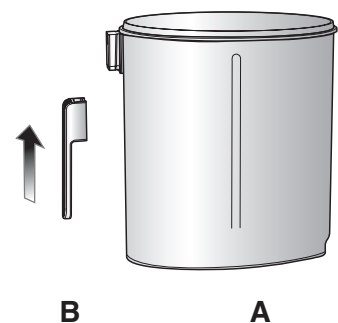


Attach Handle To Dirt Cup

The dirt cup assembly consists of the following parts;

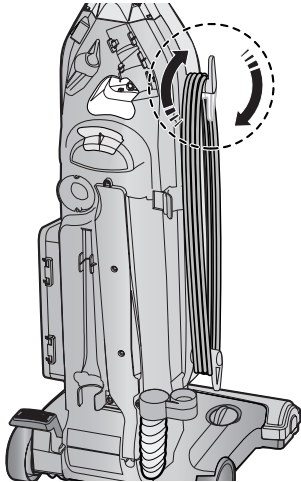
- * Dirt Cup (A)
- * Dirt Cup Handle (B)

- 1 Unlock the dirt cup from the cleaner body.
- 2 Insert the dirt cup handle into the dirt cup as shown. Press firmly until it locks in place.
- 3 Insert the dirt cup into the cleaner body and lock.

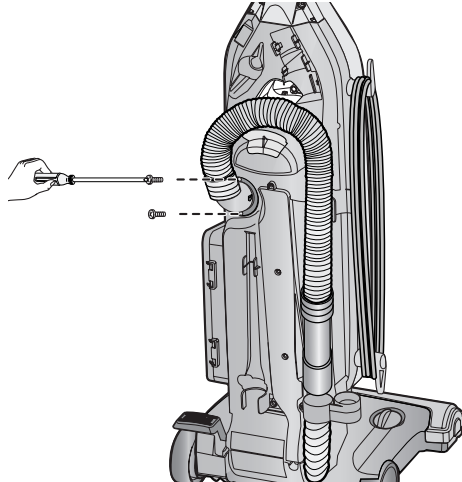


Vacuum Cleaner Assembly

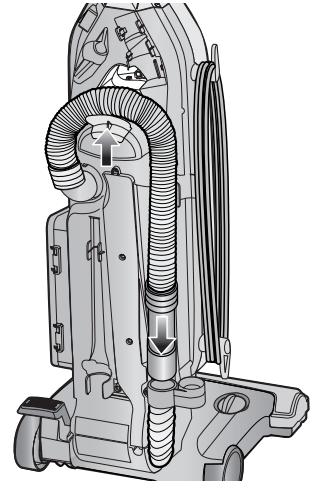
Attach Vacuum Hose and Tools



- 1 Wrap the cord around hooks for storage. The top hook rotates right or left for easy cord release.

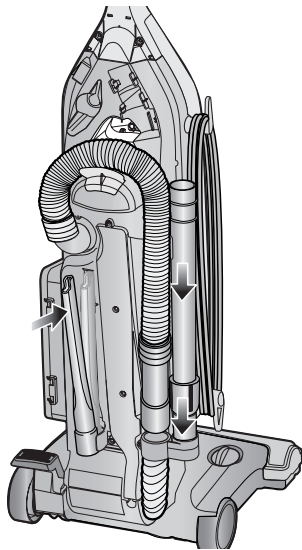


- 2 Attach the hose with two screws from the assembly packet. Tighten securely them with a screw driver.

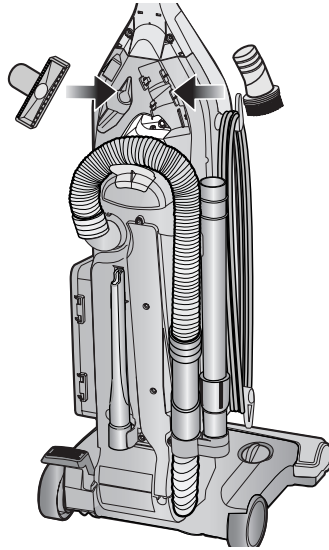


- 3 Snap the hose into the hose clip as shown.

NOTE: The powerfoot will not operate effectively unless the Hose is firmly attached to the base.



- 4 Slide the extend wand into the storage clip. Insert the crevice tool into the nook.



- 5 Snap in the Dusting brush and insert upholstery brush into the storage clip as shown.

Operation

Power Switch/Brush Roll Switch(Circuit Breaker)

The power control slide switch is located on the front of the handle. This switch also allows you to control the cleaning power.

- 1 Plug cord into electrical outlet.
- 2 To turn cleaner ON(I), slide the power switch up. To turn cleaner OFF(O), slide the power switch down. The headlight turns on when in use.

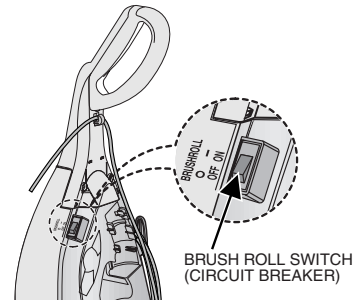
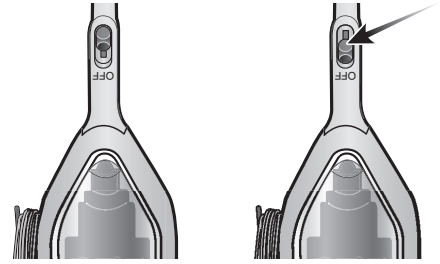
The brush roll switch is located on the side of the cleaner body. This switch turns the rotating brush on and off. The brush switch should be in the ON(I) position for normal carpet cleaning. You may want to turn the brush switch OFF(O) for bare floor cleaning or other delicate surfaces.

Turn brush roll switch OFF(O) to clean hard surface floors.

Turn brush roll switch ON(I) to clean carpet and rugs.

The brush rolls will automatically turn off when the handle is in the upright position.

NOTE: Your SAMSUNG vacuum is equipped with a special internal switch that turns the Rotating Brush off whenever the unit is in the Upright position.



Circuit Breaker(Reset Switch)

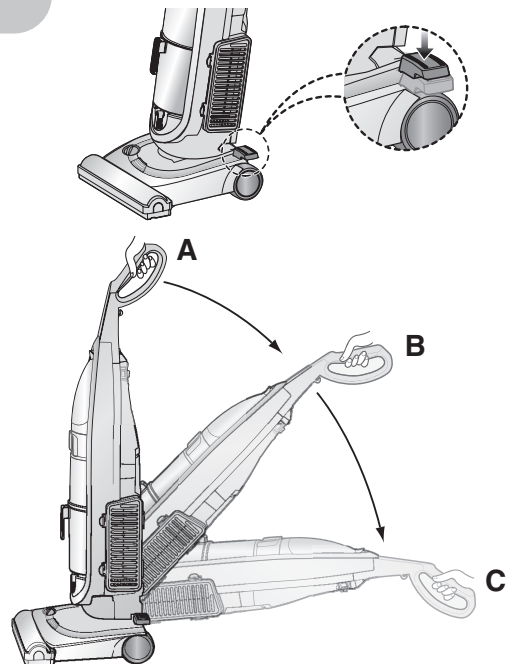
The Circuit breaker turns off the brush rolls if there is an obstruction in them. The circuit breaker combining ON/OFF switching and extremely fast overload performance in a rocker switch. Under overload conditions, an internal neon (filament bulb for low voltages) illuminates to give a cleaner signal of the tripped status of the mechanism and thereby the cause of power interruption. Returning the rocker switch through the OFF position and back ON will reset the mechanism and restore the supply.

The brush rolls will not turn, but the suction motor **will continue to run**. To reset the breaker, turn cleaner off and unplug it. Clear obstruction. Press circuit breaker switch to the ON(I) position. Turn cleaner ON and continue cleaning.

Handle Positions

Select the desired angle of the cleaner using the handle release pedal. The handle of your cleaner has three positions.

- 1 Step on the handle release pedal on the back of the cleaner base.
- 2 Raise or lower the handle and release the pedal.
 - A. Upright:**
For storage and elevated cleaning with cleaning tools.
 - B. Medium position:**
For general operation on carpet and floors.
 - C. Low position:**
Use for reaching under low furniture. Step on handle release lever to lower handle.



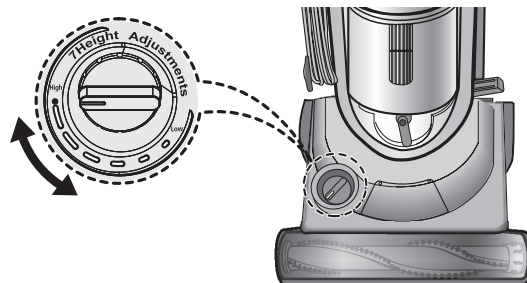
Operation

Powerfoot Height Adjustment

The powerfoot on your SAMSUNG vacuum can be adjusted to clean several floor surfaces.

NOTE : For optimal cleaning performance, adjust to the lowest practical setting. If your cleaner is difficult to push, adjust to the next higher setting.

- 1 Place Handle in Upright Position.
- 2 Turn Height Adjustment Knob to desired setting.
 - Lowest Setting** - For bare floors.
 - Medium Settings** - For short and medium pile carpets.
 - Highest Setting** - For plush pile carpet.



NOTE : You may also adjust the setting while in the Medium position.

Edge Cleaning

The Edge Cleaning Feature helps the cleaner to clean edges of rugs and floors effectively, allowing suction to reach against walls and near furniture.

Cleaning Tools

Attachment tools can be used to clean furniture, drapes, stairs, or in corners. Place the vacuum on the floor with the handle in the upright position while using attachment tools. Do not place the vacuum on top of furniture or steps as the brushroller may cause damage.

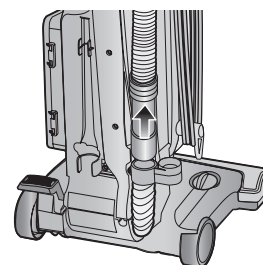
- 1 Unhook hose (with cleaning tools attached) from the rear of the vacuum cleaner.
- 2 Place desired tool on end of narrow wand. Press firmly and twist to connect the tool to the wand.

A. Dusting Brush:

Use for carved furniture, table tops, books, lamps, lighting fixtures, venetian blinds, base boards, shutters and registers.

B. Crevice tool:

Use in corners, on stairs, baseboards, and behind furniture.



Operation

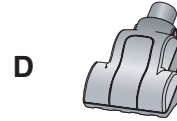
C. Extension Wand:

Use with desired attachments and narrow wand for a longer reach.



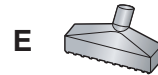
D. Powered hand tool (Turbine-Brush):

Use for upholstered furniture, carpeted stairs and hard-to-reach places.



E. Upholstery Brush:

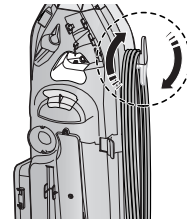
Use for upholstered furniture, draperies, mattresses, clothing, automobile interiors, and carpeted stairs.



Power Cord Arrangement

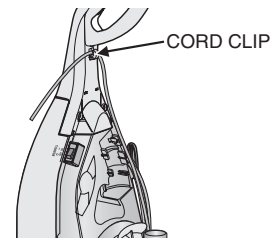
When you are done using your SAMSUNG vacuum, return it to the Upright position and store the Power Cord.

- 1 Turn vacuum cleaner OFF(O).
- 2 Unplug Power Cord by grasping the polarized plug (Not the cord) and disconnect from outlet.
- 3 Loop Power Cord around Cord Wraps on side of vacuum cleaner.
- 4 Clip molded plug to Power Cord to secure.



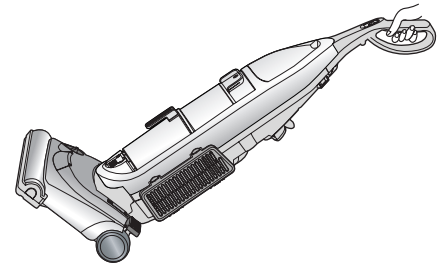
Cord Clip

For easier handling while Vacuuming, hook the power cord onto the power cord clip.



Transporting Cleaner

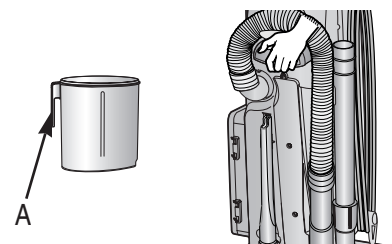
To move your cleaner from room to room, put handle in upright position, tilt cleaner back on rear wheels and push forward.



Carrying Cleaner

Do not lift cleaner using dirt cup handle.(A)

The cleaner can be moved by using the carrying handle located on the back of the cleaner.

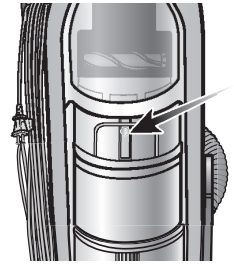


Maintenance

Dirt-Cup check or Filter clogged Indicator

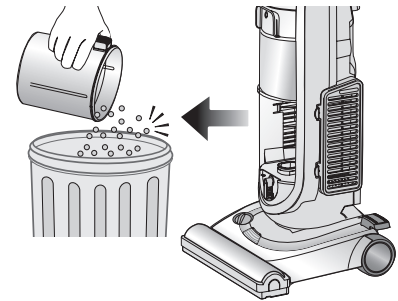
The Dirt-Cup check Indicator on the front of the vacuum shows a red or green display. When the Dirt-Cup display is green, the Dirt-Cup is not yet full or the filter is not clogged. When the indicator turns to red, the Dirt-Cup needs to be emptied or the filter needs to be cleaned.

If the display is still red after emptying the dust container, turn the cleaner off to see if the hose, tube, or nozzle is clogged.



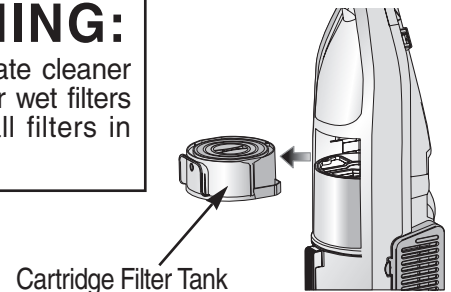
Cleaning the Dirt cup

- 1 Unplug the Cleaner from electrical outlet.
- 2 The Dirt cup can be reached by removing the Dirt cup, reaching underneath the Upper Tank and turning the rim of the Filter Frame to unlock. Pull straight down to remove. Brush the dirt off the Louvers and Dirt cup.
- 3 The foam Upper Tank Filter may be removed and hand washed in cold water with mild detergent. Rinse well then air dry thoroughly before replacing.



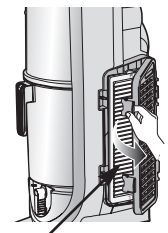
Cleaning the Cartridge Filter Tank

- 1 Unplug the Cleaner from electrical outlet.
- 2 The Cartridge Filter Tank assembly can be reached by pulling it from the cleaner.
- 3 Remove the cover from the Cartridge Filter Tank, and the foam may be removed and hand-washed in cold water with mild detergent, then air dried.
- 4 Reposition Filters when completely dry.

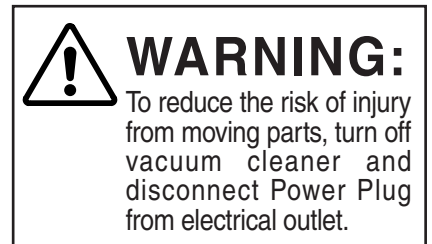


Cleaning the HEPA Media Post-Motor Filter

- 1 Unplug the Cleaner from electrical outlet.
- 2 The HEPA Media Post-Motor Filter assists in the filtration process to return clean air to the room. It is located behind the door on the side of the cleaner. If the filter becomes dirty, open the door, remove the filter and clean. To remove this filter, open the door on the side of the cleaner, grasp filter and pull it straight out.
- 3 Reposition the HEPA Media Post-Motor Filter, then lock the door.



HEPA Media Post-Motor Filter

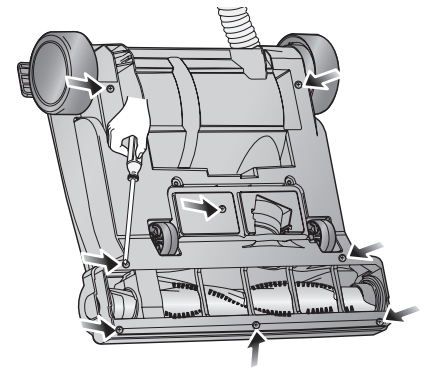
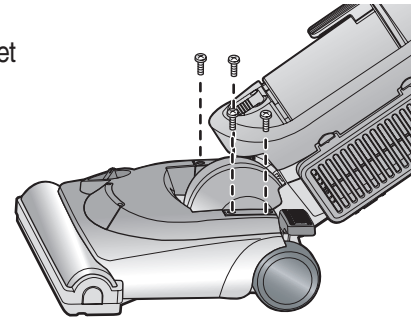


Maintenance

Check Rotating Floor Brush and Drive Belt

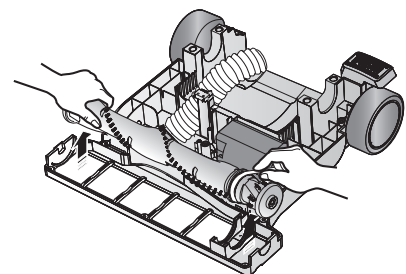
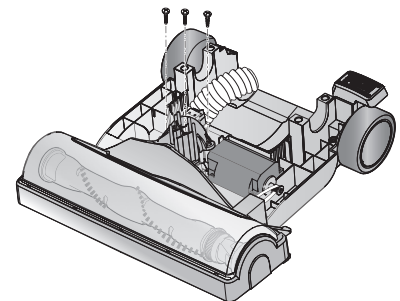
You should check your vacuum cleaner's Rotating Floor Brush and Drive Belt regularly for wear or damage. You should also clean the brush and brush ends of strings, hair, and carpet fibers. These can wrap around the brush and hamper its ability to effectively clean your carpet. Also remove any debris that has accumulated under the brush cover.

- 1 Unplug cleaner from electrical outlet.
- 2 Place handle in Low position.
- 3 Remove the four screws as shown with a screwdriver.
- 4 Turn over the cleaner.
- 5 Remove the eight screws, and turn over the cleaner again.
- 6 Lift the cover-Brush off.
- 7 Remove the three screws on the case-drum.
- 8 Grasp Rotating Floor Brush at both ends and lift.
- 9 Clean strings, hair and other debris from Rotating Floor Brush, paying particular attention to brush ends.
- 10 Clean strings, hair and other debris from Motor Pulley and Drive Belt areas.
- 11 Check Drive Belt carefully for wear, cuts or stressed areas.
- 12 Check Air Passageway for obstructions. Remove debris from this area.



Replace Drive Belt

- 1 Unplug cleaner from electrical outlet.
- 2 With Rotating Floor Brush removed from vacuum cleaner (Step 1-7 of Check Rotating Floor and Drive Belt) grasp old Drive Belt and remove from Motor pulley. Discard old Drive Belt.
- 3 Place new Drive Belt over motor pulley and stretch other end over rotating Floor Brush in the space between the bristles.
- 4 Place ends of rotating Floor Brush down into slots on sides as shown.
- 5 Turn rotating Floor Brush by hand several times in direction of motor pulley, if properly installed, Drive Belt will center itself.
- 6 Reposition Brush cover and eight screws. Tighten screws securely. Snap end of Brush cover into place.

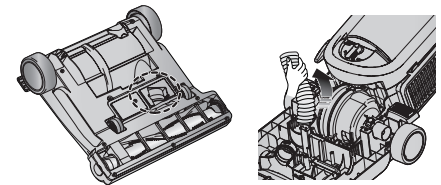
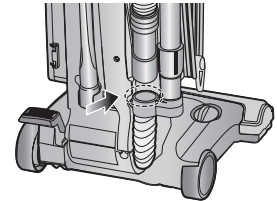
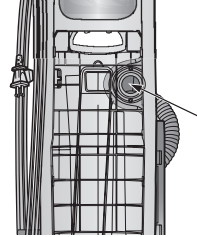


Maintenance

Clearing Clogs

Low suction or poor pickup may be due to a clog in the vacuum cleaner. If you notice a change in the sound of the motor or a reduction in the spinning action, check for clogs.

- 1 Unplug cleaner from electrical outlet.
- 2 Empty Dirt Cup.
- 3 Check Case filter for build up or clogs.
- 4 Remove the Case filter and check the suction inlet for a clog.
- 5 Grasp the Quick Reach Handle and lift Hose Wand to separate from the suction opening. Check for a clog in the Base, the Wand or the Hose.
- 6 Remove the screw attaching the Hose Wand Base to the vacuum. Straighten the Hose Wand Base and unclog with long, narrow object.
- 7 Turn the vacuum cleaner off and unplug it. Remove the brush cover, check the air passageway for obstructions. Remove debris from this area. Reposition brush cover and eight screws. Tighten screws securely, snap end of brush cover into place.

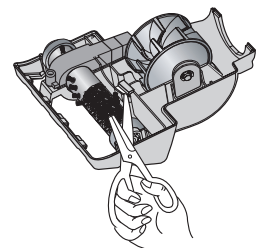
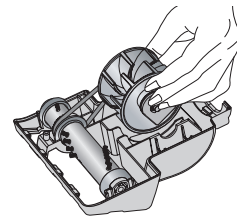
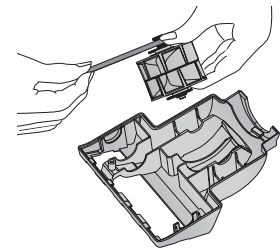
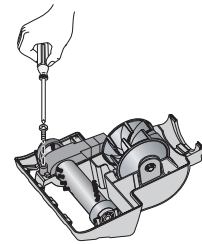
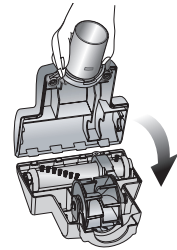
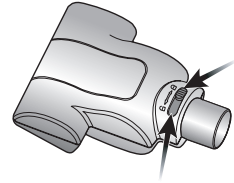


Maintenance

Powered hand tool(Turbine Brush)

*Brushbar Replacement

- 1 Remove the tool from the hose, and turn upside down. Slide the switch to unlock position and remove bottom plate.
- 2 Unscrew the one screw and remove belt guard.
- 3 Remove brushbar including end plates and discard.
- 4 Inspect belt to ensure that it is in good condition. If broken or cracked, please replace. (See below for details.)
- 5 With the curved ends facing down, slide end plates of brushbar into slots on the tool.
- 6 To replace bottom plate, insert the four tabs on edge of bottom plate into slots on front of tool. Pivot bottom plate down and snap closed.



*Belt replacement

- 1 Grasp turbine and pull firmly to remove.
- 2 Remove a screw, and lift the cover belt off.
- 3 Remove belt from turbine pulley. Replace with new belt.
- 4 With flat sides of turbine retainers pointing down, slide retainers into grooves in tool housing and snap into place.
- 5 Replace brushbar and bottom plate.

*Cleaning Brushbar

- Cut off pet hairs or threads surrounding brush by using scissors.

Troubleshooting

Check this list of possible problems and solutions before bringing your vacuum to a service center.

Problem

Possible solution

CLEANER WON'T TURN ON

- | | |
|---|--|
| <ul style="list-style-type: none">• Not firmly plugged in.• No voltage in wall plug.• Blown fuse or tripped breaker.• On/Off switch not turned on. | <ul style="list-style-type: none">• Plug unit in firmly.• Check fuse or breaker.• Replace fuse or reset breaker.• Slide to on.• Tighten the screw of the handle. |
|---|--|

CLEANER WON'T PICK UP

- | | |
|---|--|
| <ul style="list-style-type: none">• Circuit breaker tripped.• Agitator brush rolls worn.• Dirt cup full.• Incorrect carpet height setting.• HEPA cartridge filter clogged.
• Pre-filter clogged.• Dirt cup not properly installed.• Filter assembly not assembled properly.• Blockage in hose(or air flow passage).• Broken belt.• Hose not inserted fully. | <ul style="list-style-type: none">• Reset circuit breaker.• Replace brush rolls.• Empty dirt cup.• Move nozzle control knob to lower settings.• Clear HEPA cartridge filter by either tapping the side of the dirt cup.• Clean pre-filter.• Position dirt cup properly.• Ensure that filter assembly is positioned properly.• Clear blockage.• Replace belt.• Insert hose. |
|---|--|

ABNORMAL SOUND

- | | |
|---|--|
| <ul style="list-style-type: none">• Strange sound like air rushes | <ul style="list-style-type: none">• Check for clogs. |
|---|--|

This Vacuum cleaner is approved the following.
EMC Directive: 89/336/EEC, 92/31/EEC and 93/68/EEC
Low Voltage Safety Directive: 73/23/EEC and 93/68/EEC

